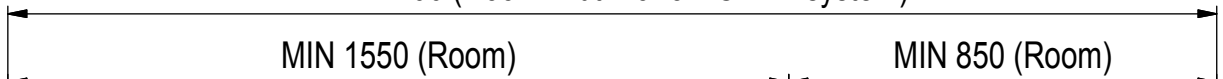
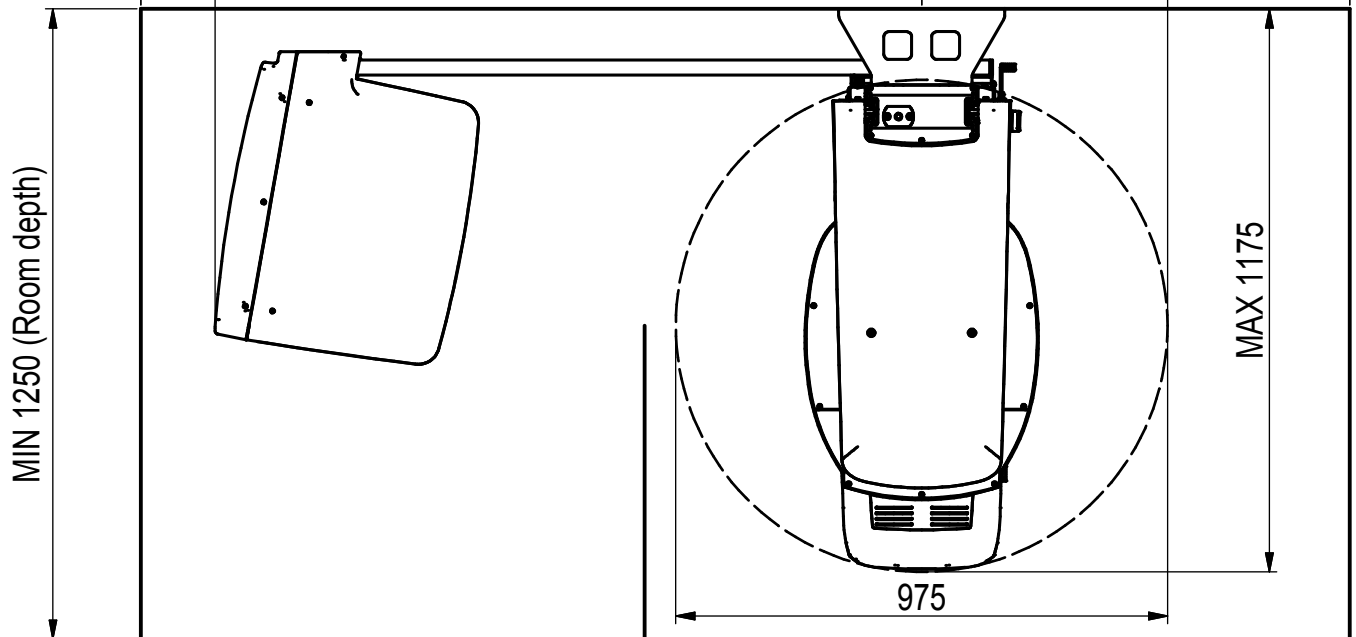


MIN 2400 (Room width for 3D CEPH system)



1890



MIN 1400 (Room width for 3D SOLO system)